



# LAMPIRAN

## Lampiran 1

### P.T. EQUATOR MARITIME JAKARTA

#### CREW - LIST

NAMA KAPAL : M.T.SOECHI CHEMICAL XIX.  
PELABUHAN ASAL : PLAJU  
BENDERA : INDONESIA  
PELABUHAN TUJUAN : -  
GRT/ NRT : 2904 /1830  
TANGGAL TIBA : -  
NAKHODA : CAPT. RUSKANDI  
TANGGAL BERANGKAT : -

NO.	N A M A	JABATAN	IJAZAH	BUKU PELAUT Expiry Date
1	Ruskandi	Master	ANT.II	21- Apr - 2013
2	Andi Palalangi	Ch. Off.	ANT.II.	18 - Mar - 2013
3	Maico Ary Pranomo	2 <sup>nd</sup> Off.	ANT.II.	22 - Des - 2014
4	Jaffray Pada Buangin	3 <sup>rd</sup> Off.	ANT.III.	22 - May - 2013
5	Aris Munardi	Ch, Eng.	ATT.II.	25-Feb - 2014
6	Widodo	2 <sup>nd</sup> Eng	ATT.I.	1- Feb-2014
7	Anwar	3rd Eng	ATT.III.	22-Jan - 2013
8	Hesi	4 <sup>th</sup> Eng	ATT.III.	28-Mar - 2014
9	Dadi	Bosun	ANTD.	30-Nov - 2014
10	Rolly Y Pangemanan	Pumpman	ANT.D.	21-Aug-2014
11	Adenang	A.B.	ANT.D.	21-Apr-2013
12	Slamet Riadi	A.B.	ANT.D.	9-Jun-2013
13	Hardiansyah	A.B.	ANT.D.	20-Jun-2013
14	Amiruddin	Foreman	ANT.D.	2-Feb-2015
15	Syehumal Jabar	Oiler	ATT.D.	11-jun - 2013
16	Dedi Pradiko	Oiler	ATT.D.	18- Aug- 2014
17	Asrul Amir	Oiler	ATT.D.	13- Oct- 2014

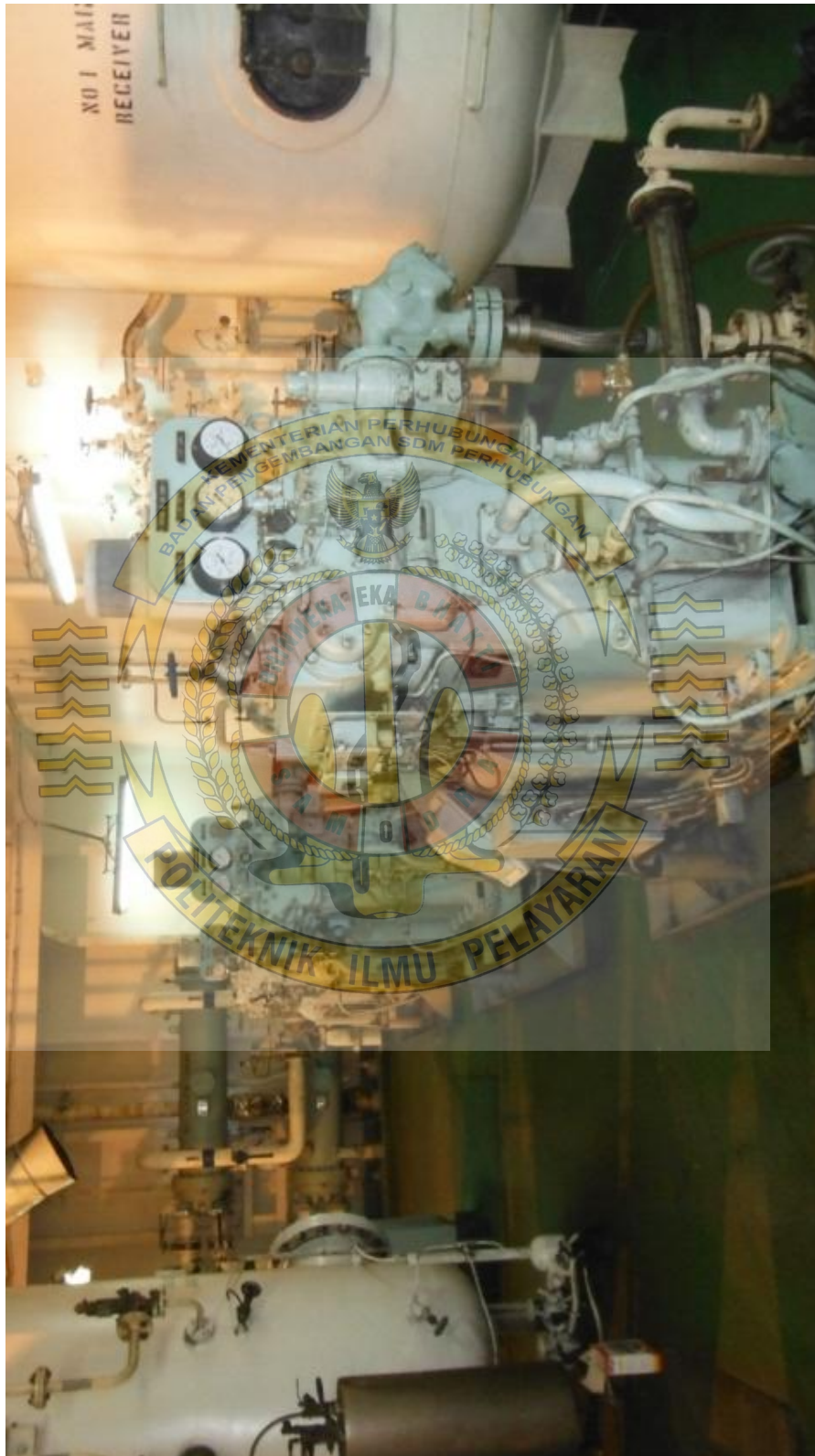
18	Cipto Pryono	Wiper	ATT.D.	31- May- 2013
19	Citra	Cook	BST	11- Juni- 2015
20	Iksan Laely Sanjani	Eng. Cadet	BST	22- May- 2015
21	Hardi Hamid	Mess Boy	ANT.D.	4 - Apr- 2014
22	Muhamad Syafiul Umam	Deck Cadet	BST	19 -Apr- 2015

JUMLAH ABK TERMASUK NAKHODA 22 ( DUA PULUH DUA ) ORANG

Merak . 31 Des 2012

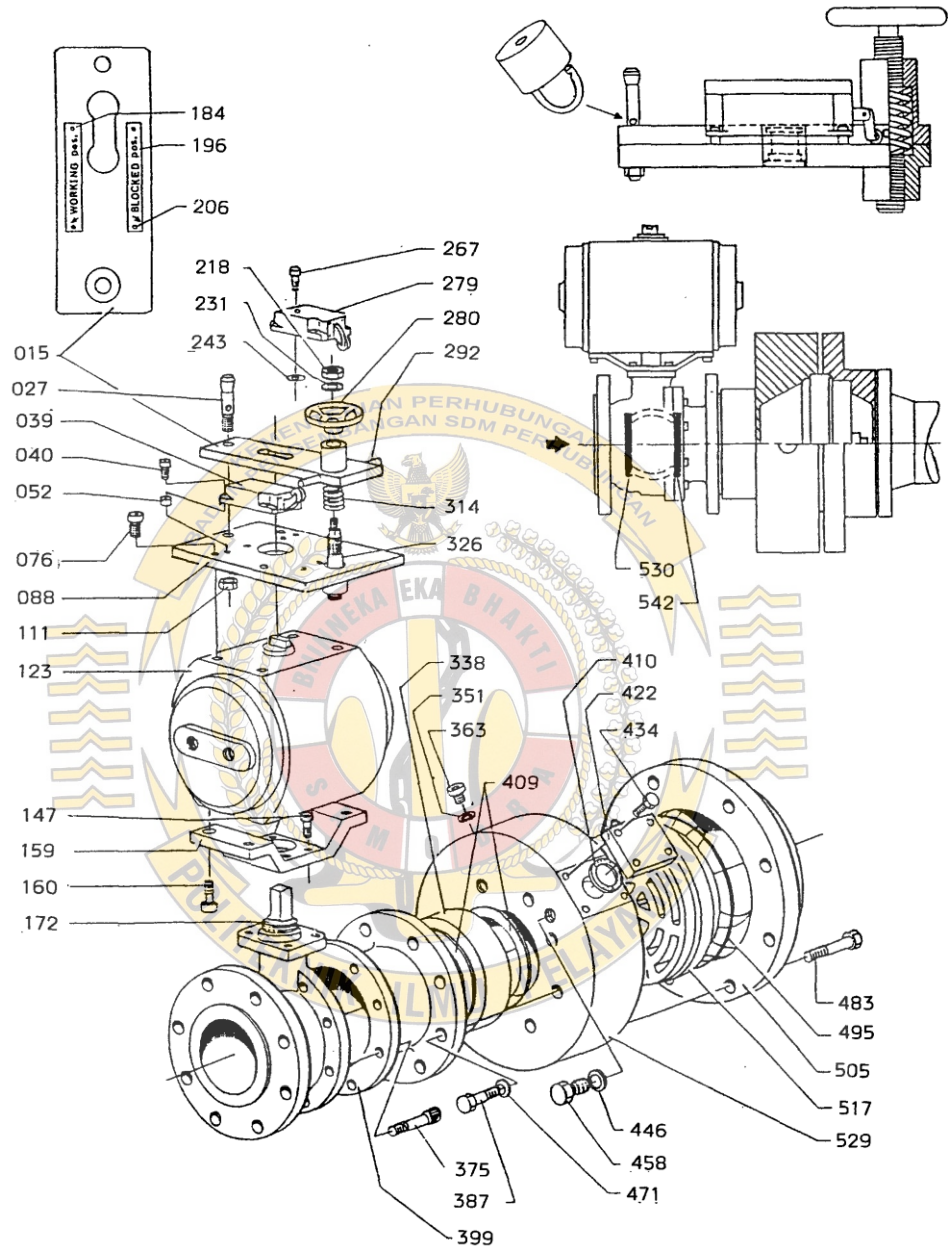


## Lampiran 2



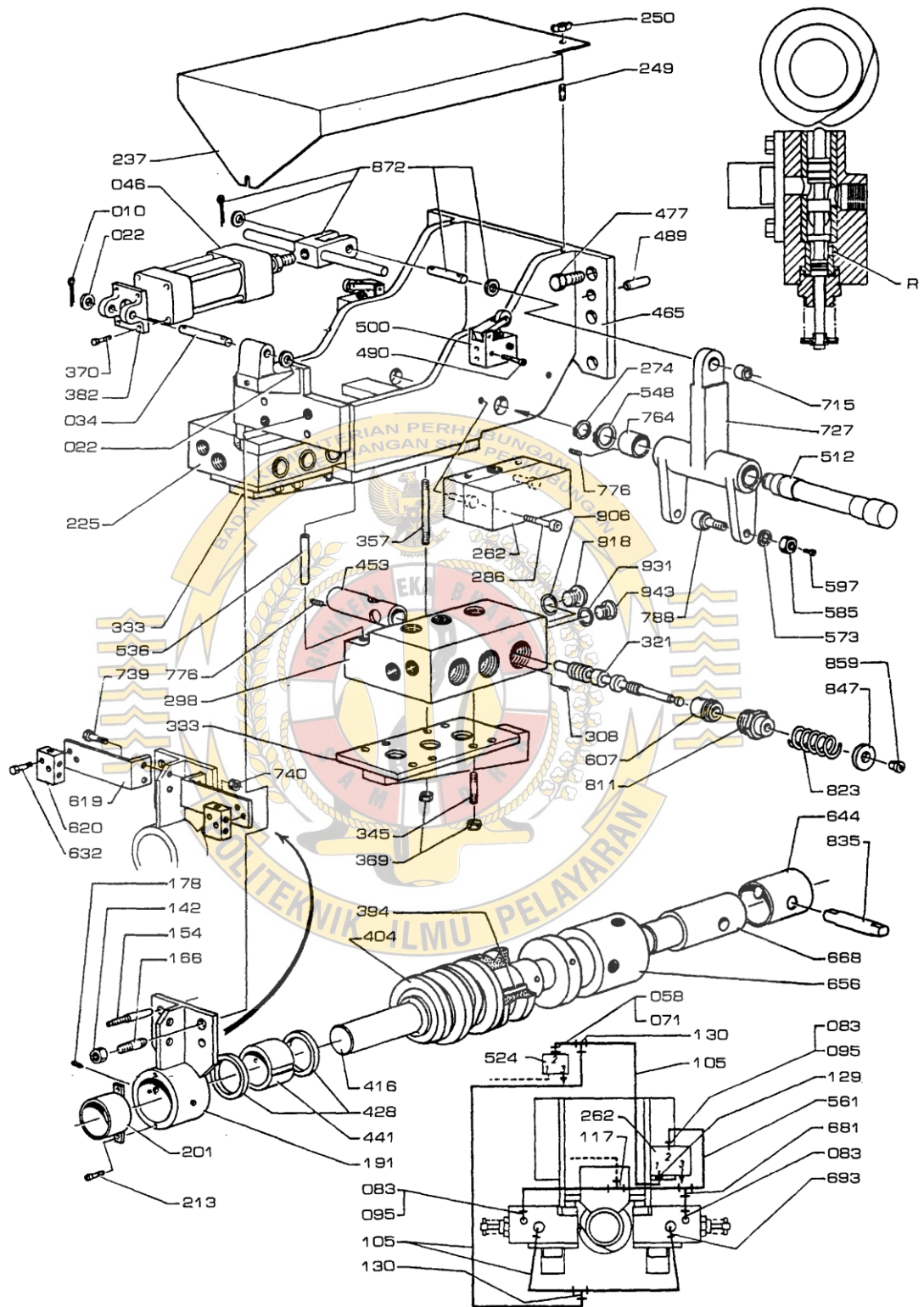
**Gambar Main Air Compressor**

### Lampiran 3



**Gambar Starting Air Distributor**

Item No.	Part Description	KHIC B&W Standard No.	Remarks
015	Securing plate		
027	Securing pin (with hole for padlock)		
039	Switch		
040	Screw		
052	Distance pipe		
076	Screw		
088	Plate		
111	Nut		
123	Actuator		
147	Screw		
159	Intermediate piece for actuator		
160	Screw		
172	Ball valve		
184	Name plate		
196	Name plate		
206	Screw		
218	Nut		
231	Washer		
243	Washer		
267	Screw		
279	Switch		
280	Handwheel		
292	Pin		
314	Spring		
326	Spindle		
338	Distance ring		
351	Gasket		
363	Plug screw		
375	Screw		
387	Screw		
399	Intermediate piece		
409	Gasket		
410	Gasket		
422	Blind flange		
434	Screw		
446	Gasket		
458	Plug screw		
471	Wahser		
483	Screw		
495	Packing		
505	Housing		
517	Non-return viave		
529	Housing		
530	Upstream seat		
542	Downstream seat		



Item No.	Part Description	KHIC B&W Standard No.	Remarks
010	Split pin		
022	Washer		
034	Pin		
046	Air cylinder		
058	Reducing adaptor		
071	Union		
083	Reducing adaptor		
095	Union		
105	Pipe		
117	Tee-union		
129	Union		
130	Tee-union		
142	Nut		
154	Guide pin		
166	Stud		
178	Stop screw		
191	Bearing bracket		
201	Guard		
213	Screw		
225	* Distributor housing		
237	Top guard		
249	Stud		
250	Wing nut		
262	3/2-way valve		
274	Circlip		
286	Screw		
298	* Distributor housing		
308	Pin		
321	Piston		
333	* Blow-off pipe		
345	Stud		
357	Stud		
369	Nut		
370	Screw		
382	Flange		
394	* Key		
404	Starting cam, please state cylinder number		
416	* Shaft		
428	Oil sealing ring		
441	Bearing bush		
453	Liner		
465	* Bracket		
477	Screw		
489	Guide pin		
490	Screw		
500	3/2-way valve		



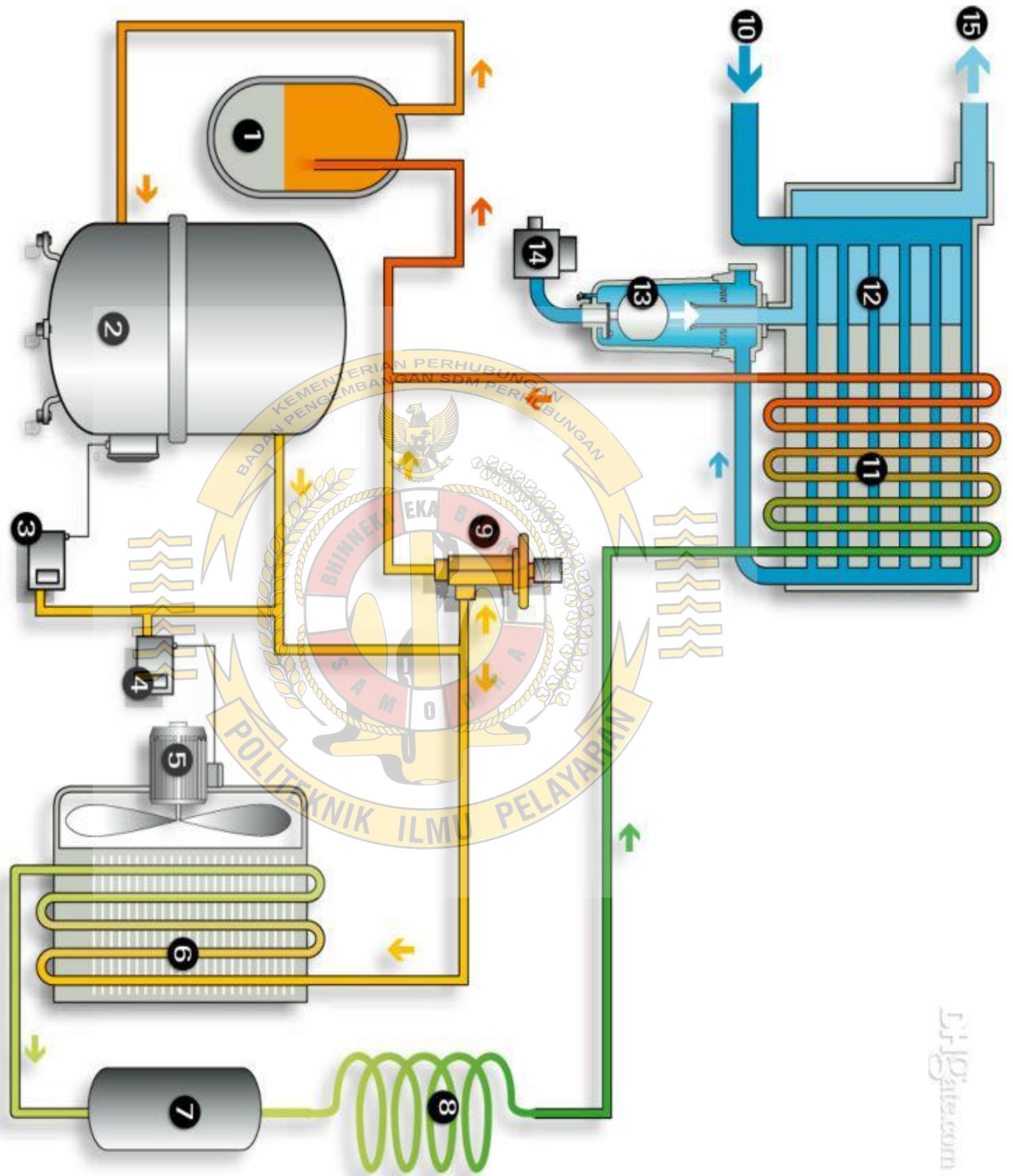
Item No.	Part Description	KHIC B&W Standard No.	Remarks
512	Shaft		
524	3-way valve		
536	Guide pin		
548	Circlip		
561	Pipe		
573	Spring washer		
585	Nut		
597	Grease nipple		
607	Liner		
619	Bracket		
620	3/2-way valve		
632	Screw		
644	Bush		
656	Flange		
668	Shaft		
681	Tee-union		
693	Union		
715	Bush		
727	Forked arm		
739	Screw		
740	Nut		
764	Bush		
776	Pointed screw		
788	Roller		
811	Union		
823	Spring		
835	Pin		
847	Spring retainer		
859	Locking ring		
872	Forked head compl.		
906	Gasket		
918	Plug screw		
931	Gasket		
943	Plug screw		
	<p>* Please state number of cylinders</p>		

Lampiran 4



Gambar Botol Penampung Udara

Lampiran 5



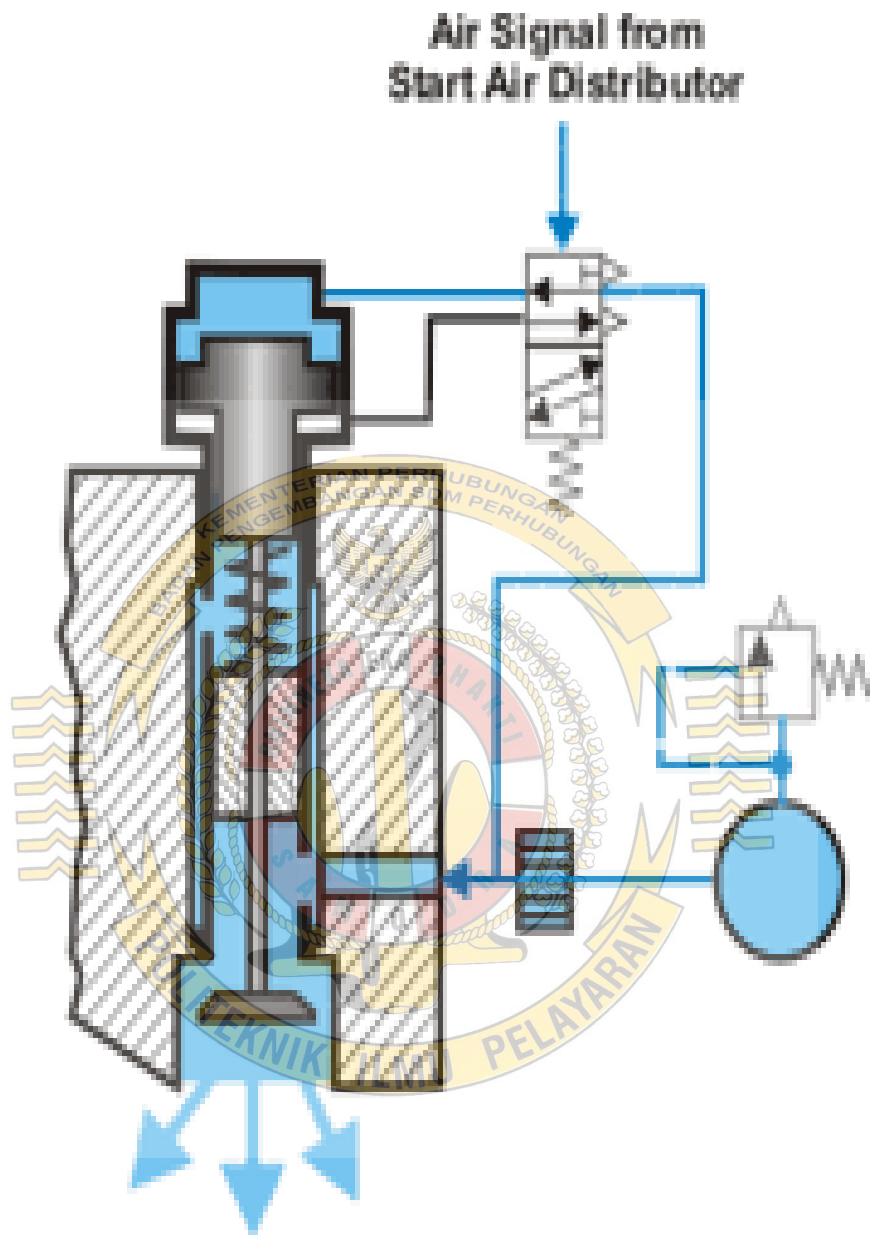
Gambar System Pengering Udara

Lampiran 6



Gambar Pengering Udara

Lampiran 7



© 2003 RAIRT marinediesel.co.uk

Gambar Katup Udara Penjalan/ Starting Air Valve