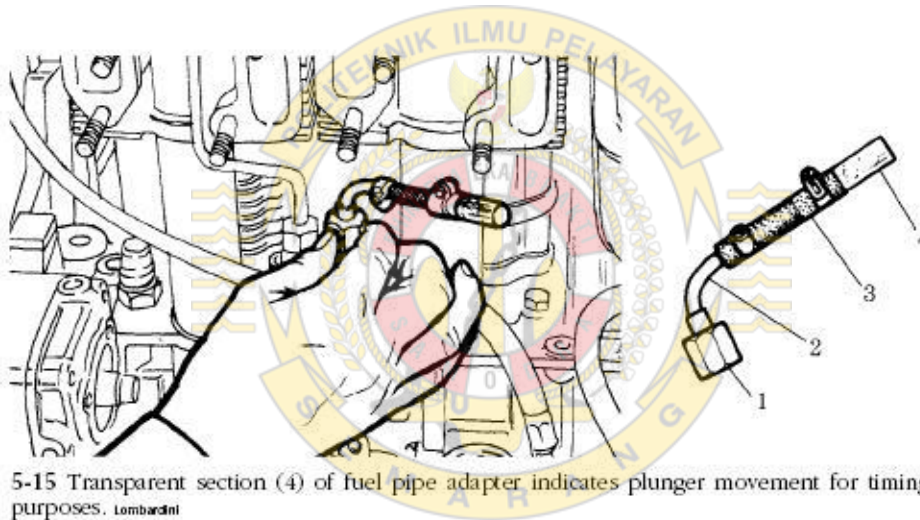
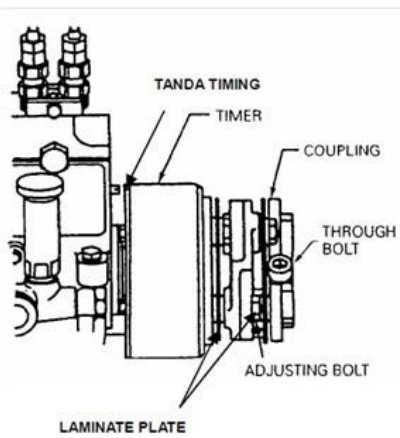
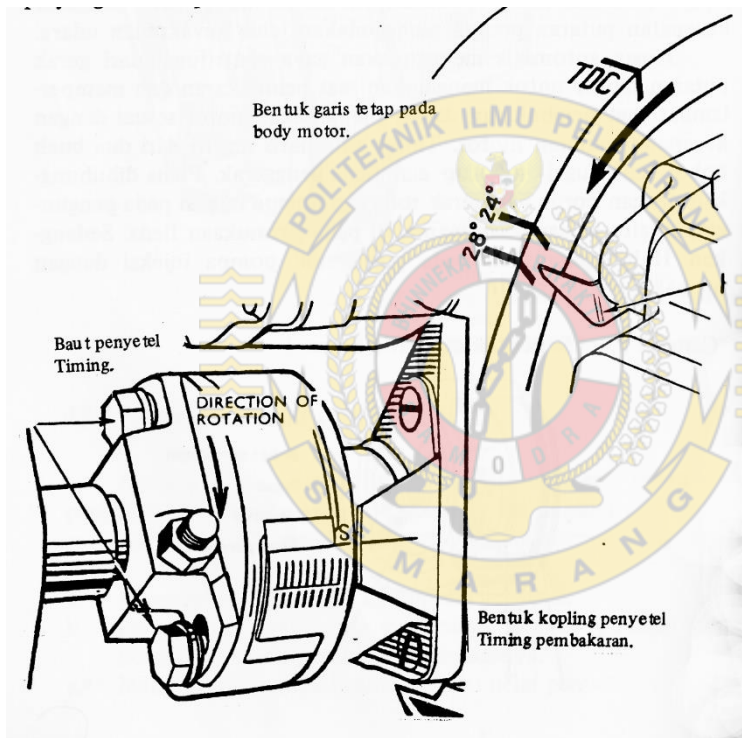
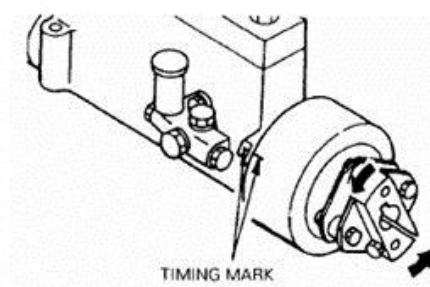
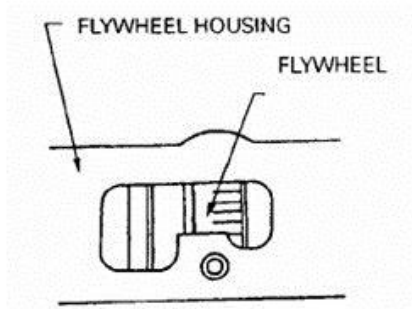


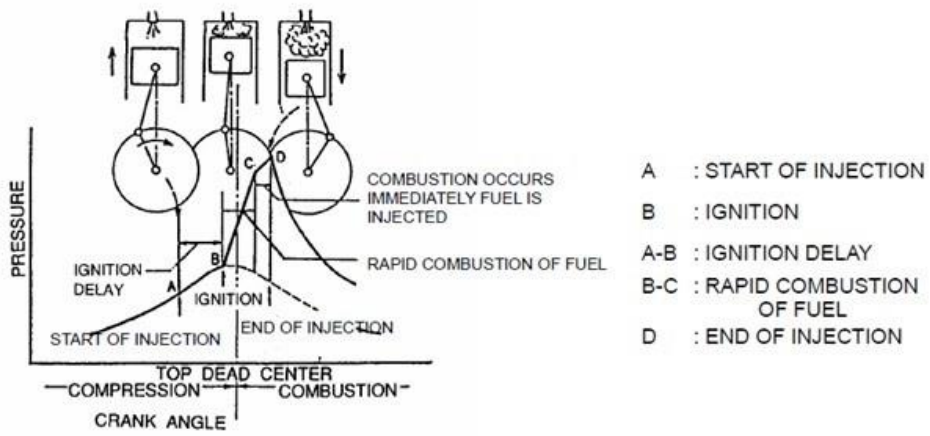
5-14 Timing marks on a Bosch distributor pump.  
Ford Motor Co.



5-15 Transparent section (4) of fuel pipe adapter indicates plunger movement for timing purposes. Lombardini







Proses pembakaran pada mesin Diesel

